

**Thank you very much for purchasing our product.  
Please read our user manual carefully prior to use.**

### FEATURES AND FUNCTIONS:

- The machine is designed to make ionic vapor, which can accelerate skin microcirculation, supply skin with moisture, and serve the function of sterilizing. It has a good effect on skin massaging especially.
- If the water is used up, the machine will stop working automatically.

### INSTALLING STEPS:

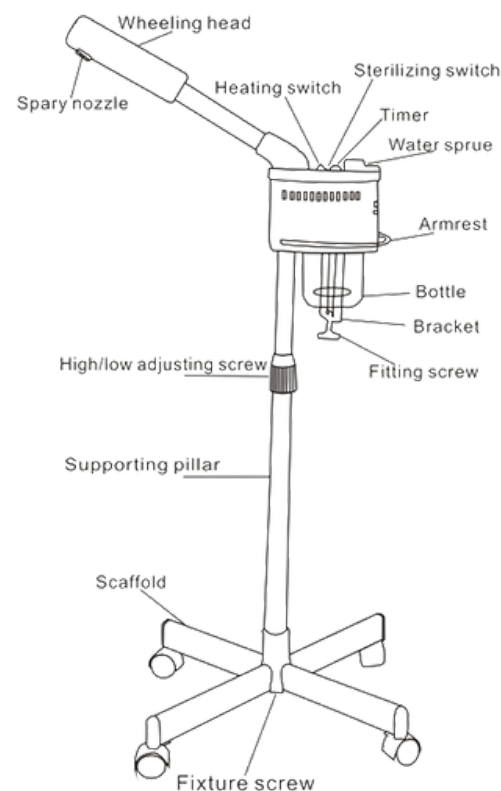
- Open the box and retrieve two metal scaffold and four wheels. Screw the wheels to the scaffold ends.
- Cross the bars and insert the fixing screw in the center of the pieces. Take out the supporting pillar with diameter of 42mm and twist out the bottom screw and insert into the fixing fork between the scaffolds and then tighten the fixing screw.
- Unscrew the supporting pillar top plastic adjusting knob, insert the flexing tube (32mm in diameter) into the adjusting knob, adjust to the suitable height and screw the knob to tighten.
- After the pillars are attached, lock the wheel's moving switch. Take out the steamer body and connect it with the supporting columns. Make sure to fix it well.

### OPERATIONS STEPS:

- Hang the stainless-steel U style bracket on the circlip located on the two sides of the aluminum plate under the steamer body.
- Put a silicon gasket on the water jar, tilt the bracket and place the cup firmly into the steamer aluminum bed. Lower the bracket back into place and turn the bottom screw to fix the water jar.
- Pour clean water into the jar from the water intake on the top of the steamer body. The water line must be under the markings.
- Turn on the power and press the heating switch. Vapor will billow out from the jet in five minutes. If you need to sterilize, turn on the sterilizing switch (the vapor quantity will increase immediately and form ionic vapor).

### ATTENTIONS:

- The work time should be adjusted according to the guest skin type, the vapor should be sprayed from chin upwards. The water line must be under the graduation else the vapor won't be produced.
- Steam head should be rinsed after use, detergent isn't recommended.
- To rid up the buildup on the heater, a brush may be used or immersed with acetum solution for many hours.
- The power will be turned off automatically if the water line is too low. To continue to use add more water.
- Work time shouldn't exceed 25 minutes
- Don't use the machine if it is abnormal or the power cable is aged.
- The machine must be serviced by a professional or serviced in the specified site.



### CONTACT US

☎ 972-926-6488

✉ service@aycllc.com

🌐 www.aycllc.com